



CRAFTSMANSHIP FIRST.

ROOFING • EXTERIOR DESIGN • GUTTERS • REPAIRS • SOLAR

ABOUT BONNER MASTER ROOFING



111 N. OLIVE ST.

Media, PA 19063
Tel: 610-876-8800

26 S. CHURCH ST.

West Chester, PA 19382
Tel: 610-876-8800

41 S. HADDON AVE.

Haddonfield, NJ 08033
Tel: 856-221-8111

Bonner Master Roofing is a roofing specialist offering a range of services, including the installation of shingle roofs, flat roof systems, specialty systems, and metal roofing. Their expertise lies in metal roofing, with a focus on custom fabrications in their sheet metal shop. They craft unique trims and panels for each project. Specializing in older homes and historical remodeling,

they excel in reframing details and roof-related carpentry. Additionally, they handle copper and other natural metals requiring soldering for traditional and historical architecture. Beyond roofing, the company seamlessly integrates all phases of the exterior, such as Hardie siding, millwork, windows, gutter systems, and is at the forefront of solar roofing innovation.

24-GAUGE METAL ROOF COLORS

SMART COLORS — DESIGNED ENERGY EFFICIENT

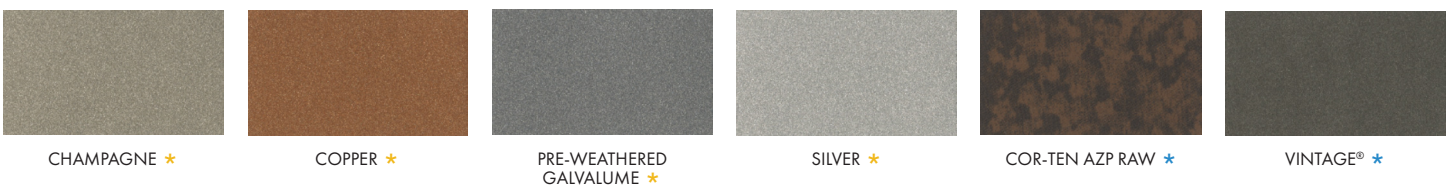


CORELINE™ TEXTURED LOW-GLOSS (TLG) PVDF COLORS



NON-PAINTED

METALLIC COLORS

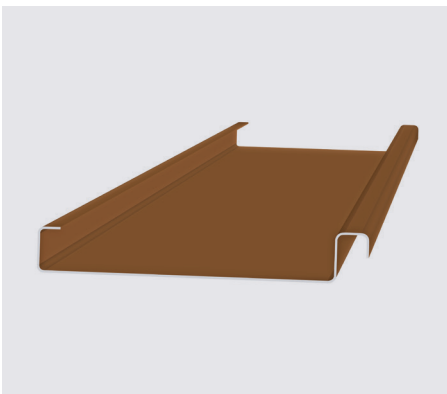
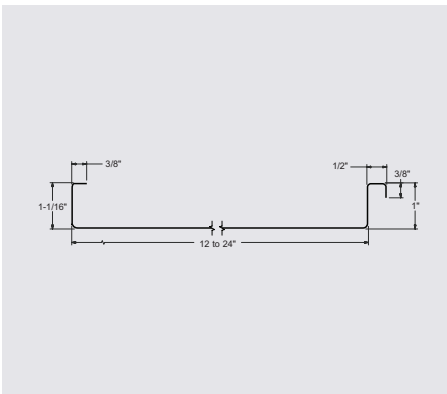
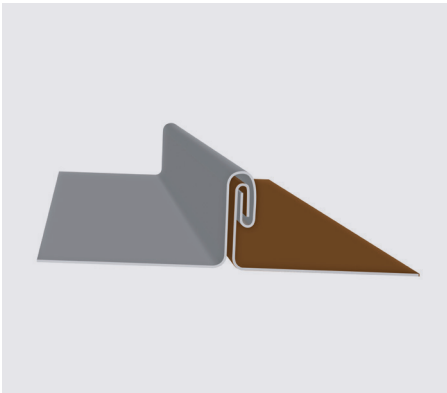


WEATHERED COLORS

* Available at a slight price premium * Available at a slight price premium * Available at a slight price premium

Oil canning is an aesthetic issue and is an inherent part of light gauge cold formed metal products. By using coil that has been processed properly, designing for thermal movement, following stringent specifications for installation, and proper handling, most oil canning can be minimized. Oil canning is not grounds for coil/panel rejection.

SMI 1.0" MECHANICAL SEAM ROOF PANEL PROFILE



PANEL INFORMATION

Panel Type	Standing Seam
Panel Seam	Mechanical
Panel Width	17"
Seam Height	1.0"
Panel Material	22 ga–24 ga min
Panel Surface	Smooth / Embossed Optional
Minimum Slope	3/12

PANEL TESTING

Uplift Resistance	UL 580, UL 1897, UL 90
Hail Rating	Class 4 Impact UL 2218
Fire Rating	UL Class A

PANEL NOTES

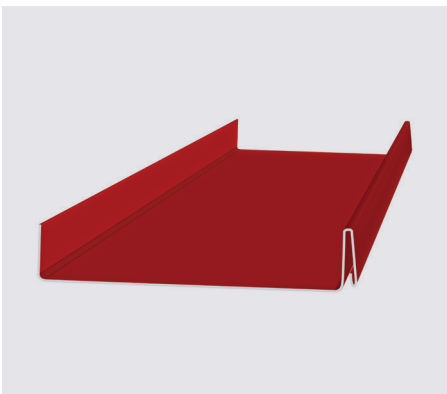
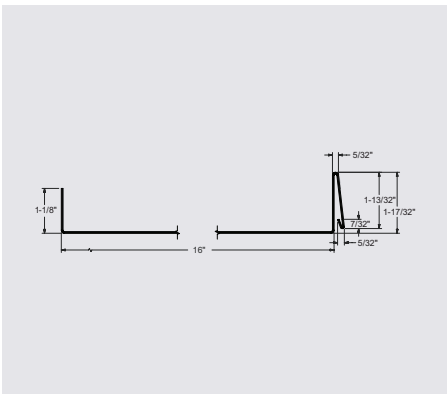
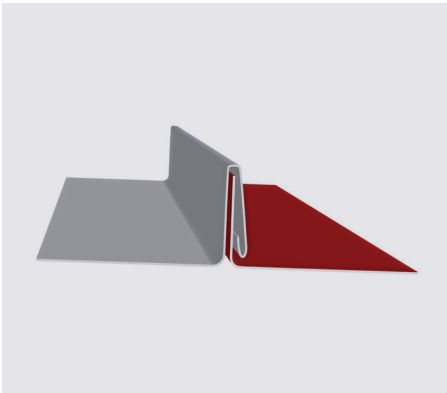
This panel uses a 20" coil. Maximum width coil of 20".

This panel uses 3" of material to form the panel.

Divide the coil width by the panel width to determine your roof multiplier. Take the square footage of the roof and multiply that by the roof multiplier to determine the amount of coil needed to manufacture the panels. This does not include estimated waste.

Suitable for zinc and copper.

SMI 1.5" SNAPLOCK 450 ROOF PANEL PROFILE



PANEL INFORMATION

Panel Type	Standing Seam
Panel Seam	SnapLock
Panel Width	16"
Seam Height	1.5"
Panel Material	22 ga—24 ga min
Panel Surface	Smooth / Embossed Optional
Panel Clip	Required Per Engineering
Minimum Slope	3/12
Substrate	Plywood

PANEL TESTING

Uplift Resistance	UL 580, UL 1897, UL 90
Hail Rating	Class 4 Impact UL 2218
Fire Rating	UL Class A
Texas Department of Insurance Approval	RC-561

PANEL NOTES

With this 24 GA, 16" wide panel engineering, you may opt to use heavier gauge coil and narrower width panels. Clip spacing will not change.

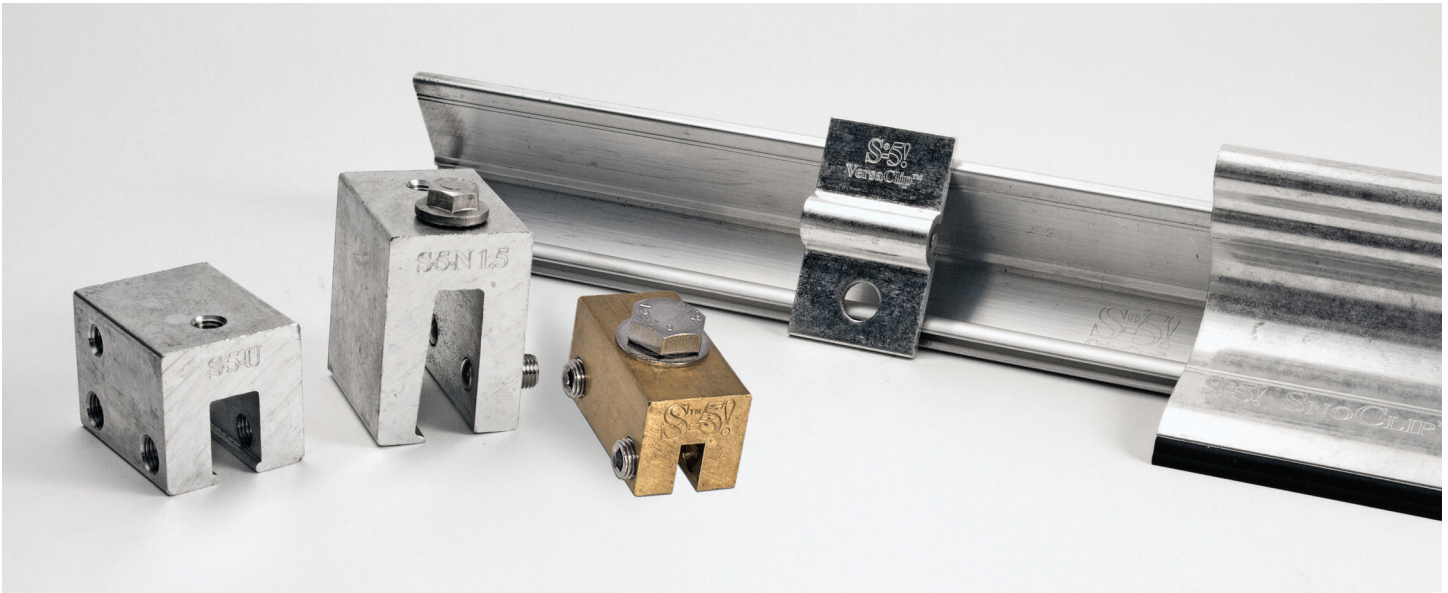
This panel uses a 20" coil.

This panel uses 4-1/8" of material to form the panel.

Divide the coil width by the panel width to determine your roof multiplier. Take the square footage of the roof and multiply that by the roof multiplier to determine the amount of coil needed to manufacture the panels. This does not include estimated waste.

This panel is approved for Weathertight Warranties.

METAL ROOFING ACCESSORIES



S-5! ATTACHMENTS

We've partnered with S-5!, the industry leader and innovator, to distribute their attachment systems for snow retention, utility solutions, and solar mounting. S-5! can provide a non-penetrating engineered solution for standing seam metal roofing system accessories.



SHARKSKIN UNDERLAYMENTS

We stock the full line of Sharkskin synthetic roof underlayments. Sharkskin offers a variety of premium products that were made by a roofer for roofers. Sharkskin Ultra and Ultra SA are approved underlayments for Sheffield Metals' Weathertight Warranty program.

ADDITIONAL PRODUCT OFFERINGS



COPPER

**FREEDOM
GRAY
COPPER**

**VM
ZINC**

**LEAD
COATED
COPPER**

**ROOFINOX
TERNE COATED
STAINLESS
STEEL**

Bonner Master Roofing offers a diverse range of high-quality materials, including the timeless elegance of hand-crafted copper. Known for their beauty and longevity, copper roofs stand out as they do not rust like steel. Over time, they undergo a stunning transformation: starting as shiny metallic copper, they gradually turn to musket brown or bronze in 3-7 years and eventually develop a distinctive patina green finish. This natural oxidation process forms a protective coating, allowing copper roofs to last a century or more, completely maintenance-free.

Bonner Master Roofing's extensive range also includes Freedom Gray Copper, VM Zinc, Lead Coated Copper, and Roofinox Terne Coated Stainless Steel, each

carefully chosen for its unique properties and aesthetic qualities. Freedom Gray Copper offers all the traditional benefits of copper but with a striking gray color. Lead Coated Copper boasts an extensive lifespan, remarkable beauty, and minimal maintenance. VM Zinc, on the other hand, adds a contemporary flair with its sleek look. Lastly, Roofinox Terne Coated Stainless Steel is a specialized, rust-free stainless steel created for just for roofs and facades.

These materials provide not only visual elegance but also enduring protection and functionality, fulfilling Bonner Master Roofing's commitment to delivering both style and long-term value.



111 N. OLIVE ST.

Media, PA 19063
Tel: 610-876-8800

26 S. CHURCH ST.

West Chester, PA 19382
Tel: 610-876-8800

41 S. HADDON AVE.

Haddonfield, NJ 08033
Tel: 856-221-8111